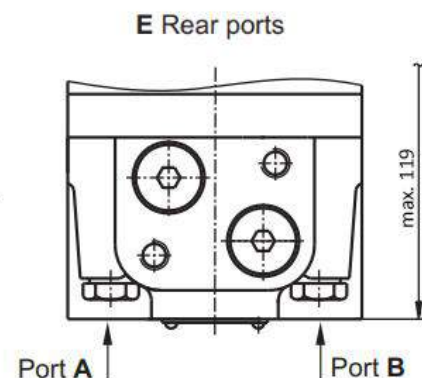
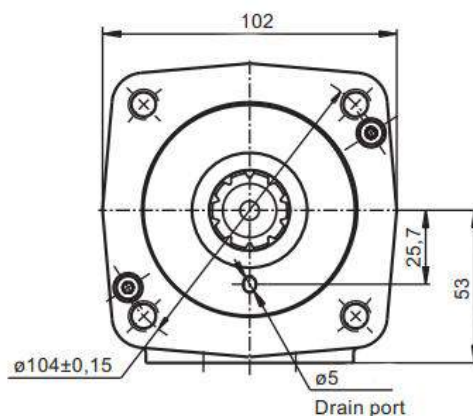
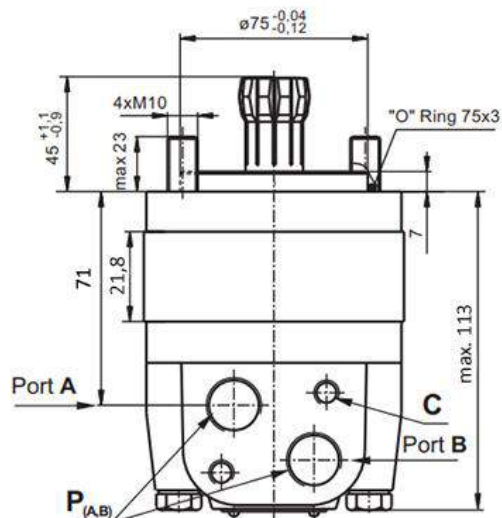


## 100474

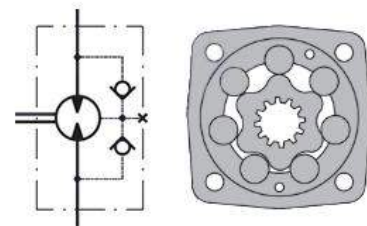
## [mm]



C: 2xM10-12 mm depth  
 P<sub>(A,B)</sub>: 2xG1/2 or 2xM22x1,5  
 15 mm depth

**Standard Rotation**  
 Viewed from Shaft End  
 Port A Pressurized - CW  
 Port B Pressurized - CCW

**Reverse Rotation**  
 Viewed from Shaft End  
 Port A Pressurized - CCW  
 Port B Pressurized - CW



Šifra / Code	<b>100474</b>
cm/vrtljaj / Ccm	125,7
Max. Delovni tlak / Max. Working press. [bar]	175
Max. Tlak / Max. Pressure [bar]	210
Max. Navor / Max. Torque [daNm]	38
Max. Konst. navor / Max. Const. Torque [daNm]	32
Max. Vrtljaji / Max. Rpm [vrt/min]	600
Priključki / Ports ["]	1/2
Max. Pretok / Max. Flow [l/min]	75
Število zob / No. Of teeth	12